

**GENERAL**

**Detection**  
**Fluid**  
**Operating pressure**  
**Ambient temperature**  
**Max. speed rate**  
**Standards**

**Equipped for magnetic position detectors**  
 Air or neutral gas, filtered, lubricated or not  
 2 to 10 bar max.  
 -20°C to +70°C  
 0,5 m/s  
**ISO 21287**  
 The diameters and distances between the centres of the mounting holes ensures that any fittings can be attached that comply with  
 Ø20-25: **ISO 21287**  
 Ø32-100: **ISO 15552-AFNOR NF ISO 15552-DIN ISO 15552**

Minimum pressure to compress the spring (NAR and NAS) : Ø20-50 = 1 bar  
 Ø63-100 = 0,65 bar

**The return of the piston rod must be without load** (single acting version)

**CONSTRUCTION**

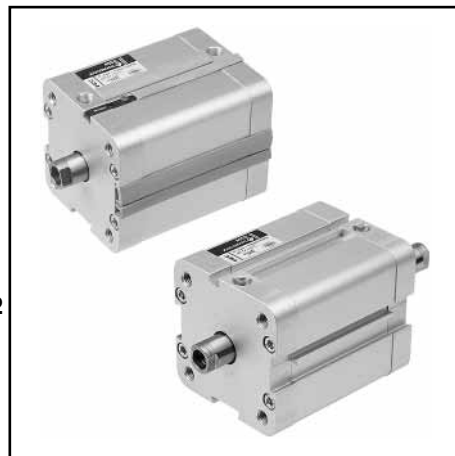
**Barrel (non magnetic)** Anodized aluminium alloy  
**Rod** Ø 20: stainless steel, Ø 25-100: chrome plated steel  
**Rod end** Tapped or threaded  
**Piston** POM (polyacetal) or light alloy  
**Piston seal** PUR (polyurethane)  
**Front and rear ends** Anodized aluminium alloy  
**Bearing** Self lubricating

**SPECIFICATIONS**

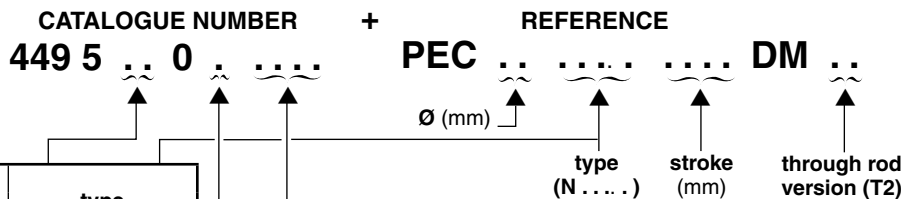
**DEFINING THE CYLINDER CATALOGUE NUMBER**

To order, please specify:

- **CYLINDER** - The cylinder type (profiled, without cushioning, rod returned or out at rest, equipped for magnetic position detector)  
 - The cylinder diameter and its stroke
- **DETECTORS** : The magnetic position detectors must be ordered separately :  
 - "T" model (see page P291), reed switch or magneto-resistive type  
 - ATEX (see page X019-318 of ATEX catalogue)



**B**



cylinder type						type	
barrel	cushio-ning	detection	version	rod end			
<b>Vérin simple effet</b>							
pro- filed barrel	without	equipped	rod returned (NAR)	tapped	<b>TA</b>	<b>NAR.T</b>	
				threaded	<b>60</b>	<b>NAR.F</b>	
			rod out (NAS)	tapped	<b>TE</b>	<b>NAS.T</b>	
				threaded	<b>62</b>	<b>NAS.F</b>	
<b>Vérin double effet</b>							
pro- filed barrel	without	equipped	single rod	tapped	<b>T2</b>	<b>NA.T</b>	
				threaded	<b>02</b>	<b>NA.F</b>	
			Through rod	tapped	<b>TC</b>	<b>NA.T T2</b>	
				threaded	<b>0C</b>	<b>NA.F T2</b>	

Ø (mm)	single acting cylinder				
	standard stroke (mm) (1) (recommended standard strokes)				
	5	10	15	20	25
20	•	•	•	•	•
25	•	•	•	•	•
32	•	•	•	•	•
40	•	•	•	•	•
50	•	•	•	•	•
63	•	•	•	•	•
80	•	•	•	•	•
100	•	•	•	•	•

rod returned cylinder	rod out cylinder	cylinder Ø	
return force (daN)		Ø (mm)	type
1,9	1,9	20	<b>2</b>
3,5	3,5	25	<b>9</b>
5,7	5,7	32	<b>3</b>
9,4	9,4	40	<b>4</b>
11,4	11,4	50	<b>5</b>
13,9	13,9	63	<b>6</b>
18,4	18,4	80	<b>8</b>
14,8	14,8	100	<b>1</b>

Ø (mm)	double acting cylinder													max. stroke (mm)	
	standard stroke (mm) (2) (recommended standard strokes)														
	5	10	15	20	25	50	80	100	125	160	200	250	320		400
20	•	•	•	•	•	•	•	•	•	•	•	•	•	•	60
25	•	•	•	•	•	•	•	•	•	•	•	•	•	•	90
32	•	•	•	•	•	•	•	•	•	•	•	•	•	•	400
40	•	•	•	•	•	•	•	•	•	•	•	•	•	•	400
50	•	•	•	•	•	•	•	•	•	•	•	•	•	•	400
63	•	•	•	•	•	•	•	•	•	•	•	•	•	•	400
80	•	•	•	•	•	•	•	•	•	•	•	•	•	•	400
100	•	•	•	•	•	•	•	•	•	•	•	•	•	•	400

**Ordering example:**  
 - profiled cylinder with rod out (NAR), tapped rod equipped for detectors = **TA**  
 - cylinder Ø 80 mm = **8**  
 - stroke 25 mm = **0025**  
 Ordering catalogue number : **449 5 TA 0 8 0025**  
 Ordering reference : **PEC 80 NAR.T 0025 DM**

- (1) Indicate stroke (in mm) preferably selecting one of the standard strokes above. Others strokes on request (min. 5, max. 25)
- (2) Indicate stroke (in mm) preferably selecting one of the standard strokes above. Do not exceed maximum possible stroke

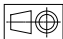
**MOUNTINGS:** see page P8

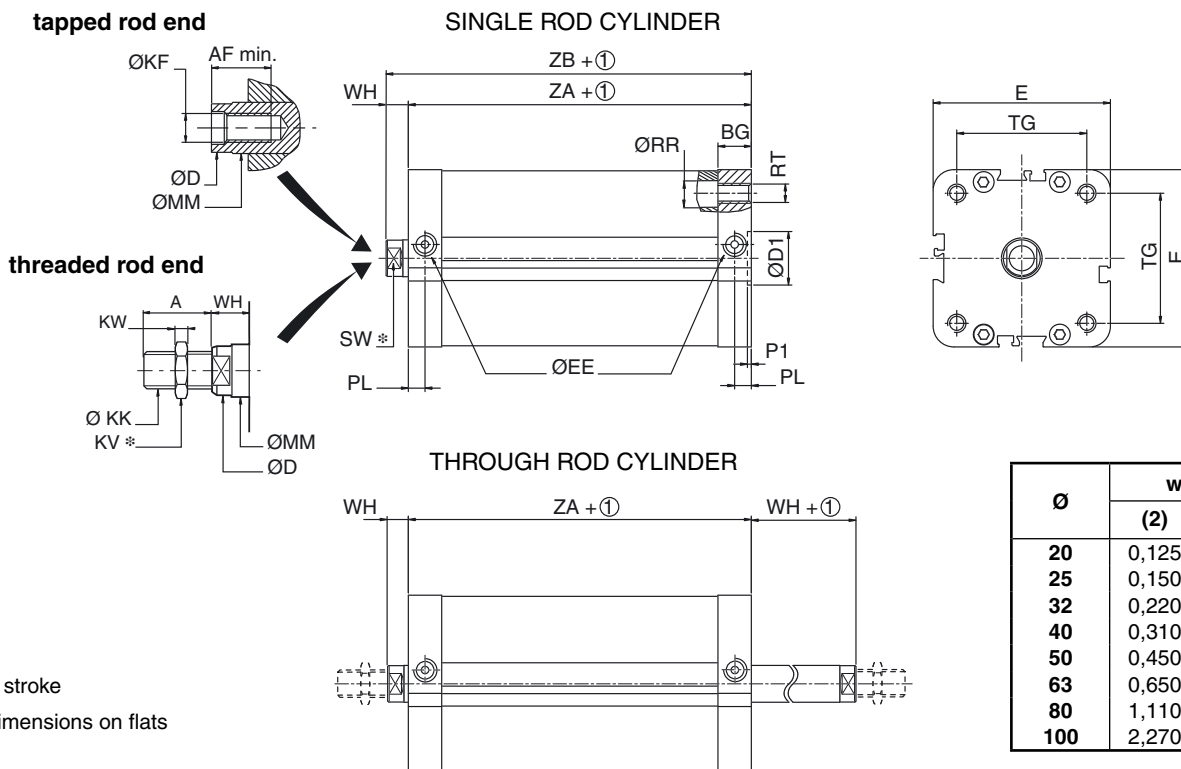
**ACCESSORIES :** Protective groove cover and detector cable holder: see page P291

00474GB-2011/R02 Availability, design and specifications are subject to change without notice. All rights reserved.

**OPTIONS**

- Others strokes on request
- Version non equipped for magnetic position detectors (consult us)
- Piston rod in 303 stainless steel, catalogue number: **995202**
- Overlength piston rod in hard chrome steel, cat. n°: **995003** - in 303 stainless steel, cat. n°: **995204**
- Front through rod in hard chrome steel, cat. n°: **995015** - in 303 stainless steel, cat. n° : **995216**
- rear through rod in hard chrome steel, cat. n°: **995017** - in 303 stainless steel, cat. n° : **995218**
- PEC compact cylinders are available in versions for use in potentially **explosive** dust or gas **atmospheres** according to Directive 94/9/EC - Classification :  $\text{Ex}$  II2GD c - Ta 40°C T85°C (T6) - Ta 70°C T100°C (T5) (ZONE 1-21) - cat n°.: **612106**

**DIMENSIONS (mm), WEIGHTS (kg)**   
**BARE CYLINDER**



Ø	weight	
	(2)	(3)
20	0,125	0,0026
25	0,150	0,0030
32	0,220	0,0027
40	0,310	0,0032
50	0,450	0,0044
63	0,650	0,0050
80	1,110	0,0072
100	2,270	0,0110

① + stroke  
 \* dimensions on flats

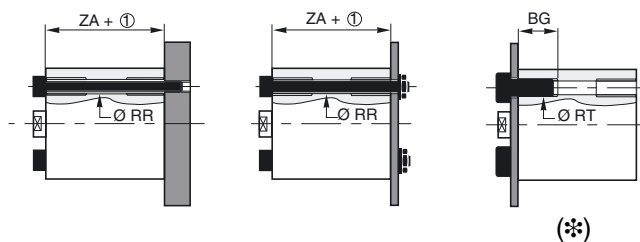
Ø	A	AF	BG	ØD	ØD1	E	EE	ØKF	ØKK	ØKV	KW	ØMM	P1	PL	ØRR	ØRT	SW	TG	WH	ZA	ZB
20	16	10	15	9,8	12	36	M5	M6	M8x1,25	13	4	10	2,5	10	4,5	M5	8	22	6	37	43
25	16	10	15	9,8	12	40	M5	M6	M8x1,25	13	4	10	2,5	10	4,5	M5	8	26	6	39	45
32	19	12	16	11,8	14	47	G1/8	M8	M10x1,25	16	5	12	2,5	7,5	6	M6	10	32,5	7	44	51
40	19	12	16	11,8	14	55	G1/8	M8	M10x1,25	16	5	12	2,5	7,5	8	M6	10	38	7	45	52
50	22	16	16	15,8	18	65	G1/8	M10	M12x1,25	18	6	16	2,5	7,5	10	M8	13	46,5	8	45	53
63	22	16	16	15,8	18	77	G1/8	M10	M12x1,25	18	6	16	2,5	7,5	10	M8	13	56,5	8	49	57
80	28	20	17	19,8	23	95	G1/8	M12	M16x1,50	24	8	20	3	8,5	14	M10	16	72	10	54	64
100	28	20	20	24,8	28	115	G1/8	M12	M16x1,50	24	8	25	3	10	15	M10	21	89	10	67	77

(2) Cylinder weight with 0 mm stroke.  
 (3) Weight to be added per additional mm length.

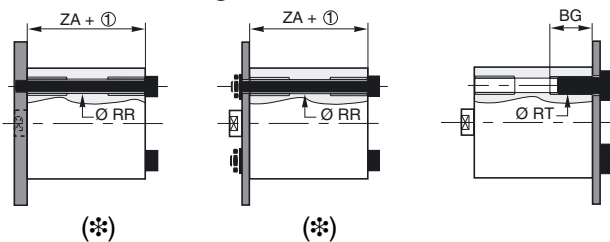
**DIRECT MOUNTING OPTIONS** (for short-stroke cylinders)

The threaded mounting holes and the four unthreaded through holes (ØRR) ensure compatibility with a wide choice of screws and other fasteners recommended for short-stroke cylinders.

• **Front mounting**



• **Rear mounting**



(\* Type of mounting not realizable on anti-rotation version)