

Micrometers

SERIES 369 – Digimatic Non-Rotating Spindle Disc Micrometer

- Can be used for making root tangent measurements on spur gears and helical gears.
- Measurable range of gear pitch: 0.5 to 6 module.
- Equipped with Ratchet Stop for constant measuring force.
- Supplied with a setting standard (except for 0-25 mm/0-1" measuring range).

MeasurLink ENABLED

Data Management Software by Mitutoyo



369-350-30

Specifications

Inch/Metric

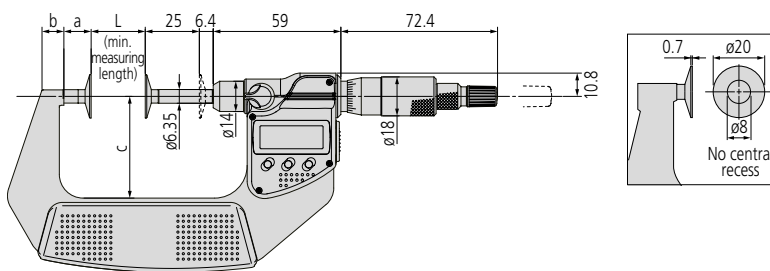
Code No.	Range	Resolution	Accuracy*	Anvil	Flatness	Parallelism
369-350-30	0-1" (0-25.4 mm)	.00005" (0.001 mm)	±.0002" (±4 μm)	ø20	.00004" (1 μm)	.0002" (4 μm)
369-351-30	1-2" (25.4-50.8 mm)					
369-352-30	2-3" (50.8-76.2 mm)		±.0003" (±6 μm)			.0003" (6 μm)
369-353-30	3-4" (76.2-101.6 mm)					

* Excluding quantizing error.

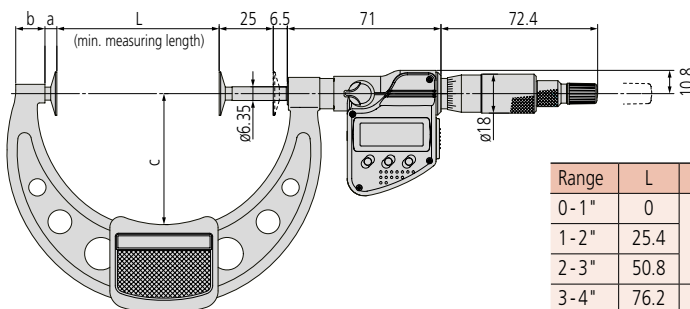
Dimensions

Models up to 3" maximum measuring range

Unit: mm



Model with 3-4" measuring range



Range	L	a	b	c
0-1"	0		7	32
1-2"	25.4	12.9	9.8	47
2-3"	50.8		11.2	60
3-4"	76.2	5.5	13.5	

Technical Data

Battery: SR44 (2 pcs) **938882**

Optional Accessories

Code No.	Description
264-623	U-WAVE-TM transmitter
02AZF310	U-WAVE-TM connection unit
05CZA662	SPC data cable with pushbutton (1 m)
05CZA663	SPC data cable with pushbutton (2 m)
06AFM380B	USB input tool direct USB-ITN-B (2 m)

