

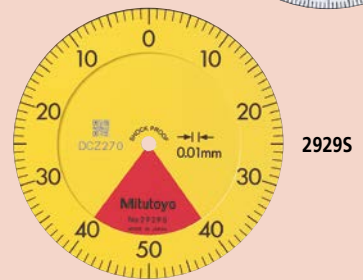
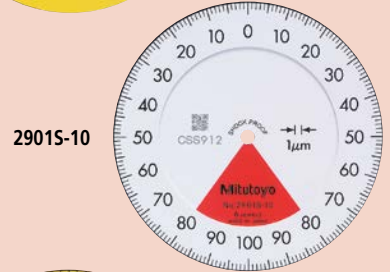
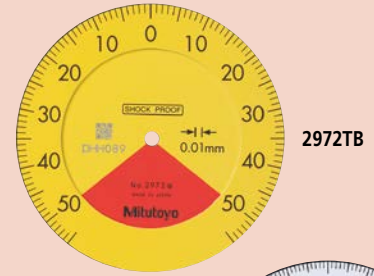
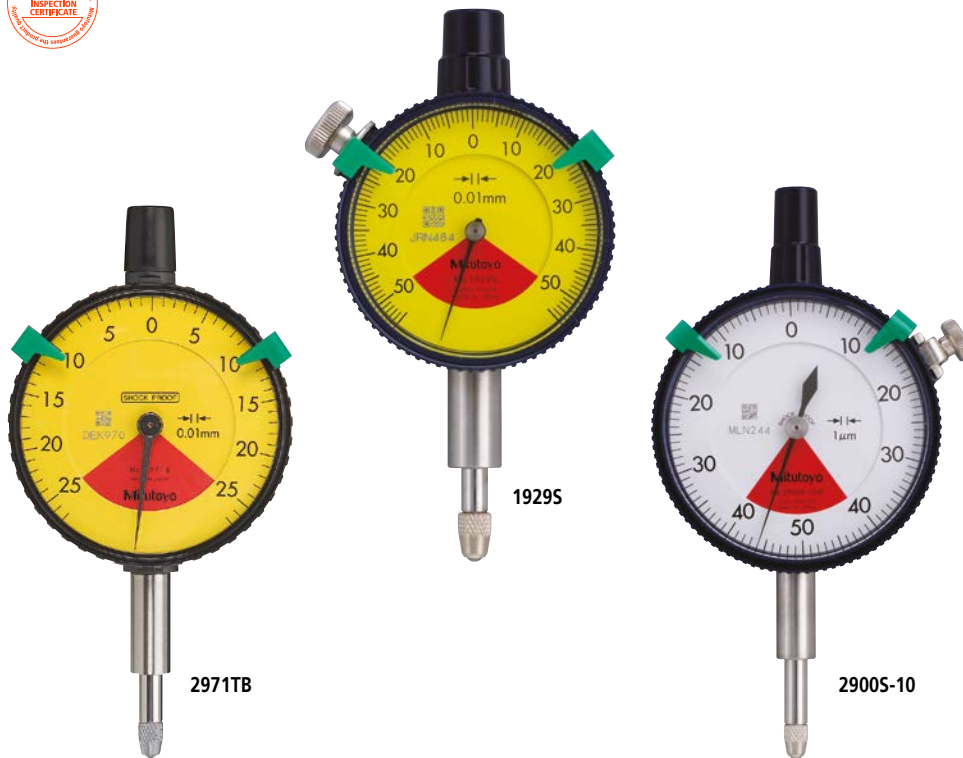
Dial Indicators

SERIES 1 and 2 – One Revolution Dial Indicators

- Mitutoyo's unique shock-proof mechanism is incorporated, providing improved resistance to shock due to sudden plunger retraction caused by impact.
- This series has been developed to eliminate the possibility of reading errors due to miscounting multiple revolutions.
- The dead zone in red indicates "accuracy not guaranteed".
- One revolution type Back plunger dial gauges are also available. (Refer to page F-36 for details.)

2970 Series:

- Excellent water- and drip-proof characteristics (IP43).
- Smooth movement thanks to the improved design of bush and stem.
- Application of a hard coating on the surface of the crystal makes it highly resistant to scratching and chemical attack.
- Lightweight (75 g).



Specifications

Metric									
Code No.	Graduation	Range (range/rev)	Accuracy				Repeat-ability	Scale	Measuring force
			Overall	Retrace	1/10 rev	1 rev			
Series 1									
1929S	0.01 mm	1 mm (1.4 mm)	11 µm	4 µm	7 µm	—	3 µm	50-0-50	1.4 N or less
Series 2									
2929S	0.01 mm	0.8 mm (1 mm)	8 µm	3 µm	5 µm	—	3 µm	40-0-40	1.4 N or less
2929S-62									2.0 N or less
2900S-10	0.001 mm	0.08 mm (0.1 mm)	3 µm	2 µm	2 µm	—	0.5 µm	80-0-80	1.4 N or less
2900S-72									2.0 N or less
2901S-10									0.16 mm (0.2 mm)
2971TB	0.01 mm	0.5 mm (0.7 mm)	8 µm	3 µm	5 µm	—	3 µm	25-0-25	1.4 N or less
2972TB		1 mm (1.4 mm)							—

Inch								
Code No.	Graduation	Range (range/rev)	Accuracy		Repeat-ability	Scale	Measuring force	
			First rev / 2.5 rev / 10 rev	Retrace				
Series 2								
2910S-10	.0001"	.008" (.01")	±.0001" / — / —		.0001"	±.00003"	4-0-4	1.8 N or less
2978TB	.001"	.06" (.079")	±.001" / — / —		.0002"	±.0002"	30-0-30	1.4 N or less
2976TB	.0005"	.02" (.028")	±.0005" / — / —		.00016"	±.0001"	10-0-10	1.4 N or less

Features

Metric					
Code No.					
1929S	—	✓	✓	—	—
2900S-10	—	✓	✓	—	✓
2900S-72	—	✓	✓	✓	✓
2901S-10	—	✓	✓	—	✓
2929S	—	✓	✓	—	—
2929S-62	—	✓	✓	✓	—
2971TB	—	✓	✓	✓	—
2972TB	—	✓	✓	✓	—

Inch					
Code No.					
2976TB	—	✓	✓	✓	—
2978TB	—	✓	✓	✓	—
2910S-10	—	✓	✓	—	✓

Optional Accessories

Contact points for Mitutoyo's dial indicators refer to pages F-37 to F-40 for details.

Interchangeable backs refer to page F-41 for details.

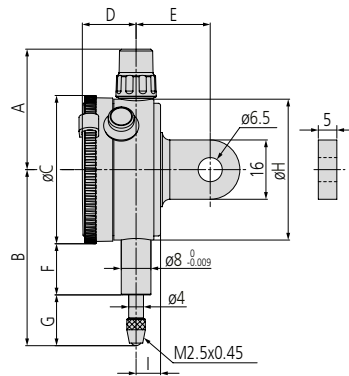
Plunger lifting aids refer to page F-42 for details.

Measuring stands refer to pages F-67 to F-72 for details.

Dimensions

Unit: mm

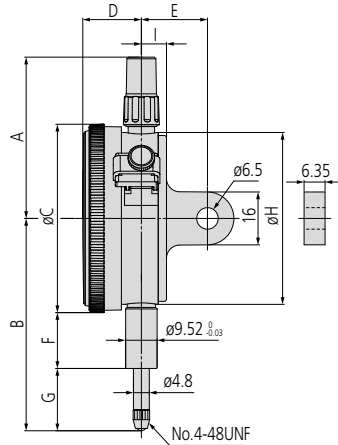
1929S



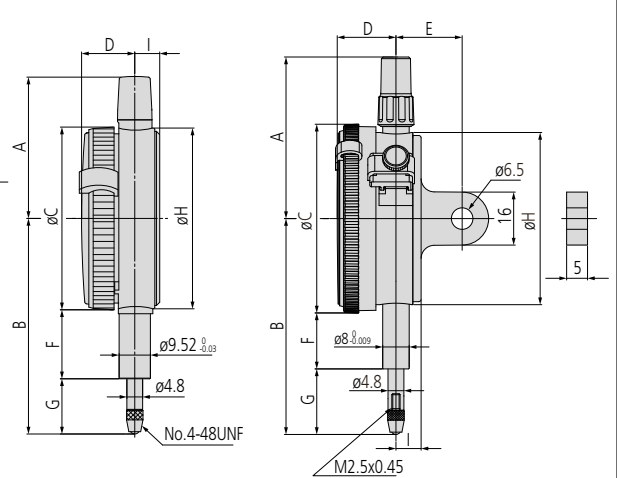
Note 1: Dimensions of the inch (ANSI/AGD type) dial indicator partly differ from those of the metric (ISO/JIS type) indicator.

Note 2: Inch (ANSI/AGD type) dial indicator is provided with a stem of 3/8" dia. and #4-48UNF thread mount for the contact point.

ANSI/AGD type



ISO/JIS type



Code No.	A	B	C	D	E	F	G	H	I	
ISO/JIS type										
1929S	32.5	47.5	40	14.5	20	13.8	13.7	38	6.6	
2900S-10	48.8	66	57	17.7		16.9	20.6	20.7	52	7.6
2900S-72		66.1								
2929S		65.2								
2929S-62		65.6								
2971TB*		66								
2972TB*	66	55.6	16.2	—	21	16.8	55			
ANSI/AGD type										
2976TB*	43.2	64.7	55.6	16.2	—	21	15.9	55	7.6	
2978TB*		65.3					16.5			
2910S-10	48.8	51.2	57	17.7	19	13.6	9.1	52		

* Plain back

F